

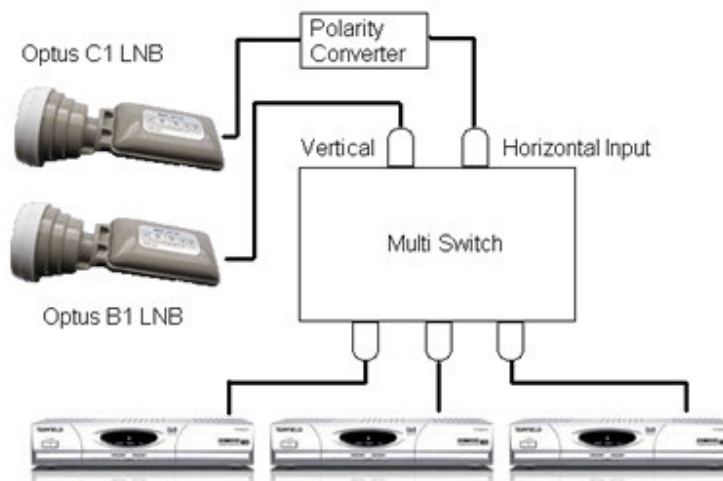


How to have up to 3 receivers on as many as 2 dishes

Many times you want to have more than one receiver in your home, and you do not want to have to add another dish or two for each receiver. By using a [multi switch](#) you can have up to three receivers using up to 2 dishes (or 2 LNBs on a single dish) with no interference.

For full information on how a [multi switch](#) works please read the specifications sheet on our suppliers website www.hooktech.co.nz

A basic block diagram for the use of the [multi switch](#) is given below. The polarity converter is only used when the LNB connected to the Horizontal Input is actually being used to receive Vertical signal from a satellite.



For more information about the system that is best for your home, email our technicians for assistance on help@freetv.co.nz